

# Sample Boards 2015

---

LAST UPDATED: 25-01-2021

---

DEMO



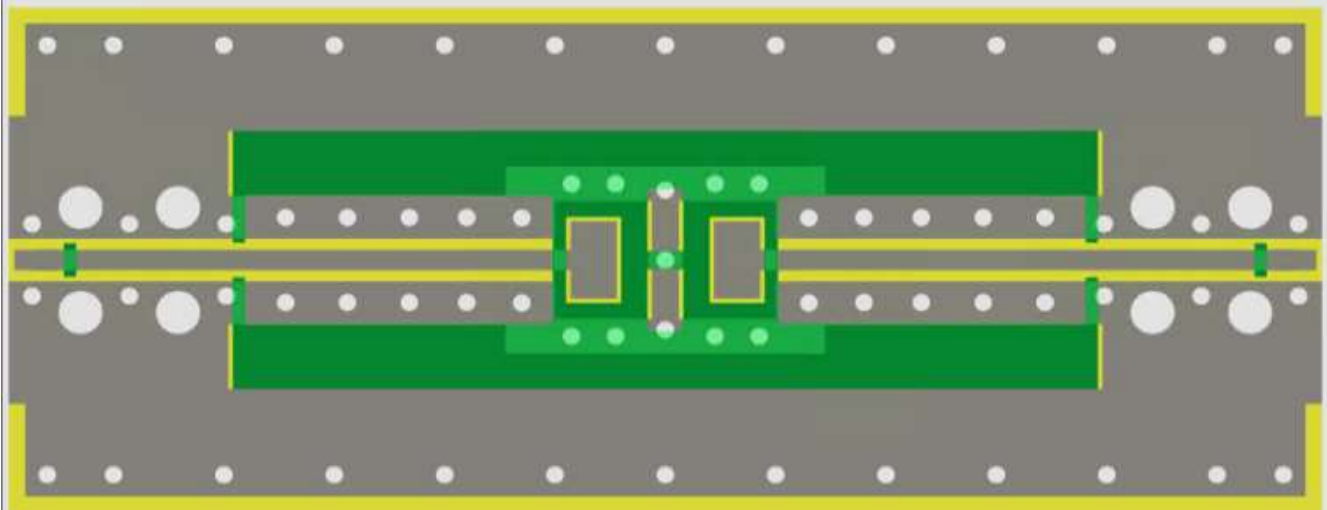
# Sample Boards

- 15-001 LFCN Filter pcb .....3**
- 15-003 PCB design Kroll.....4**
- 15-011-1 Sample Boards Scarlino Filter ..... Error! Bookmark not defined.**
- 15-011-2 Sample Boards Scarlino Filter .....5**
- 15-012 PCB Design Mykhaylov.....6**
- 15-013 Frequency divider module.....7**
- 15-014 Sample Boards Zhang .....8**

# 15-001 LFCN Filter pcb

Filter

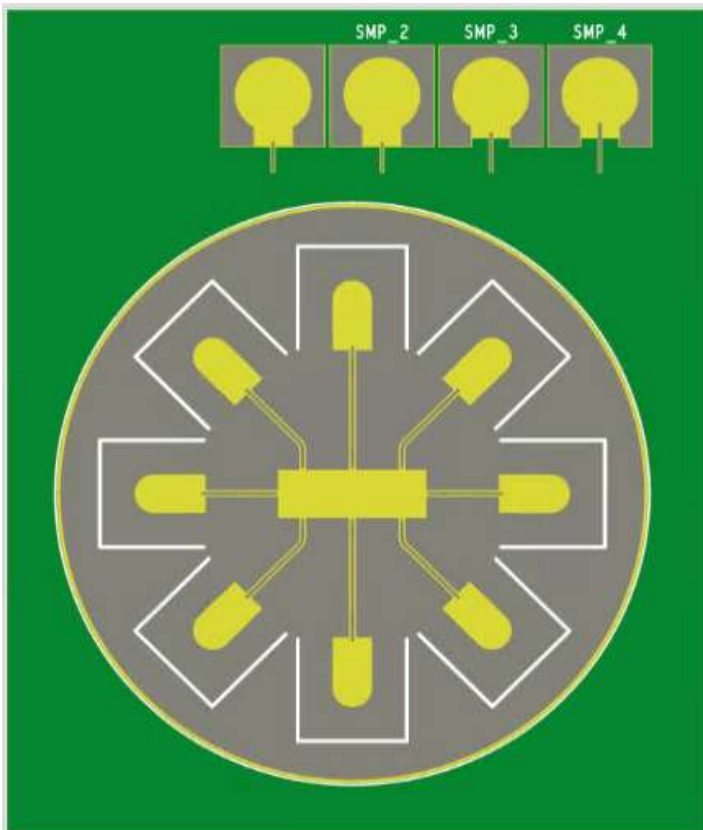
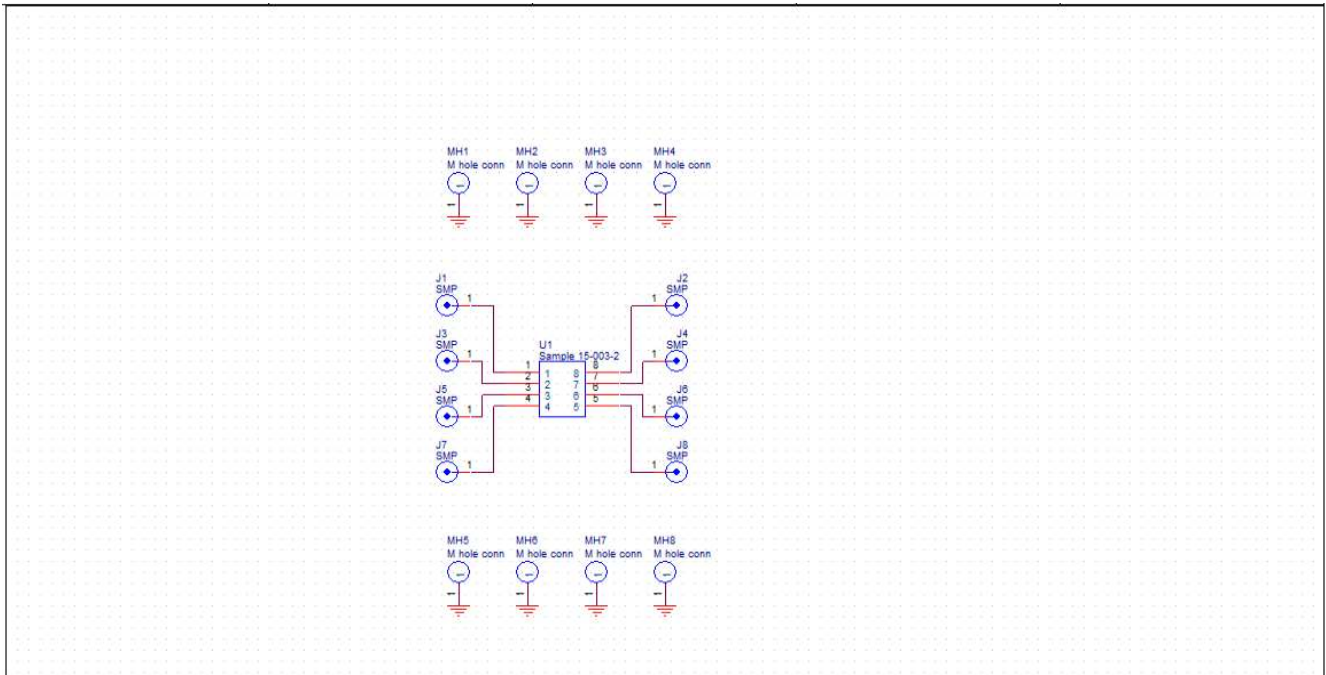
Schema onbekend



# 15-003 PCB design Kroll

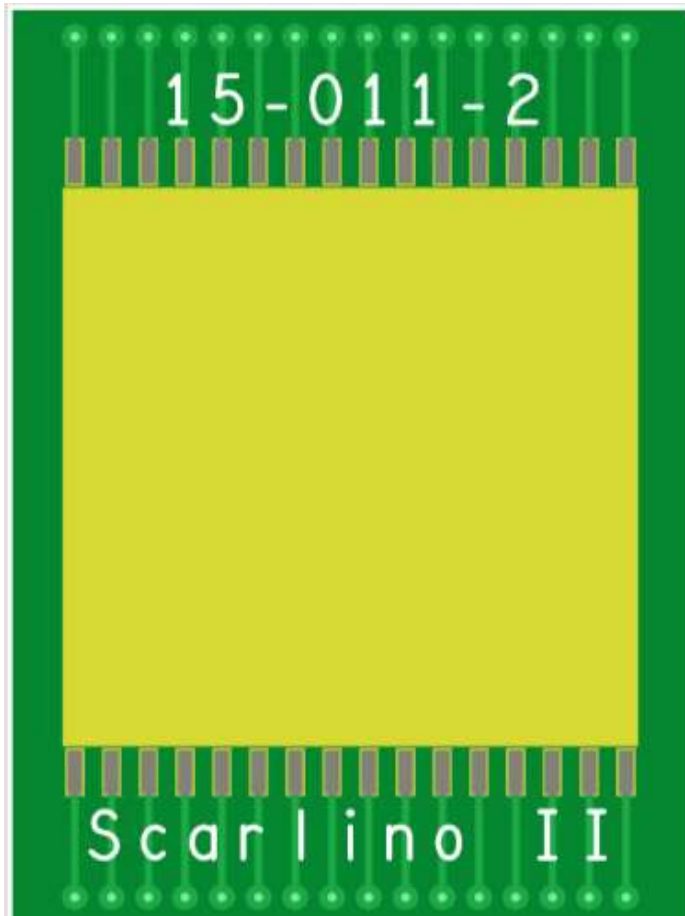
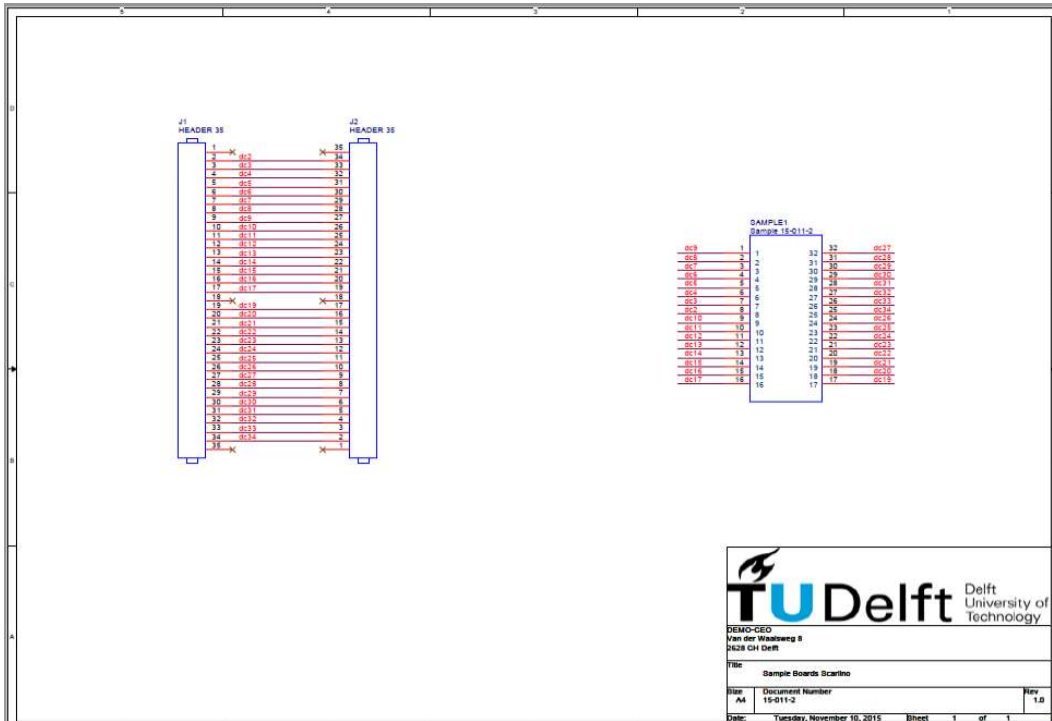
Sample board

size (LxWxT): 43.3 x 35.3 x ? mm



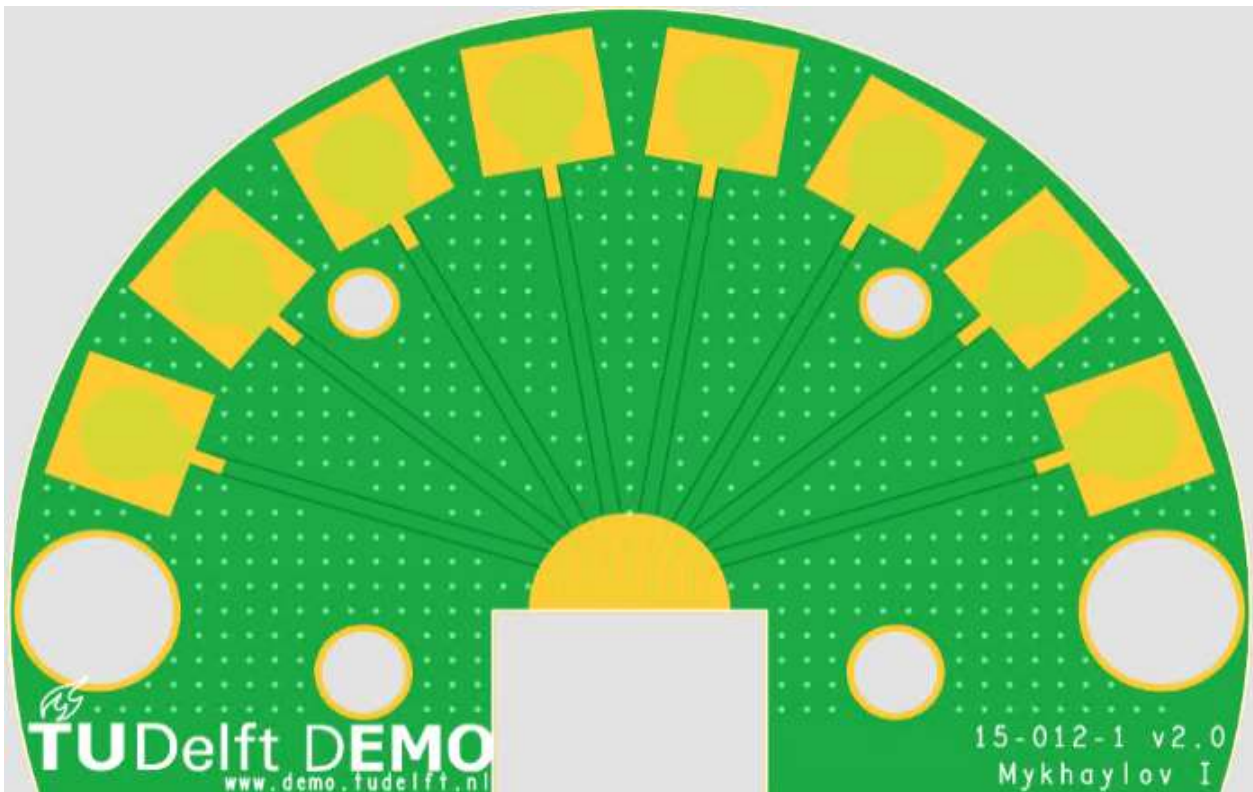
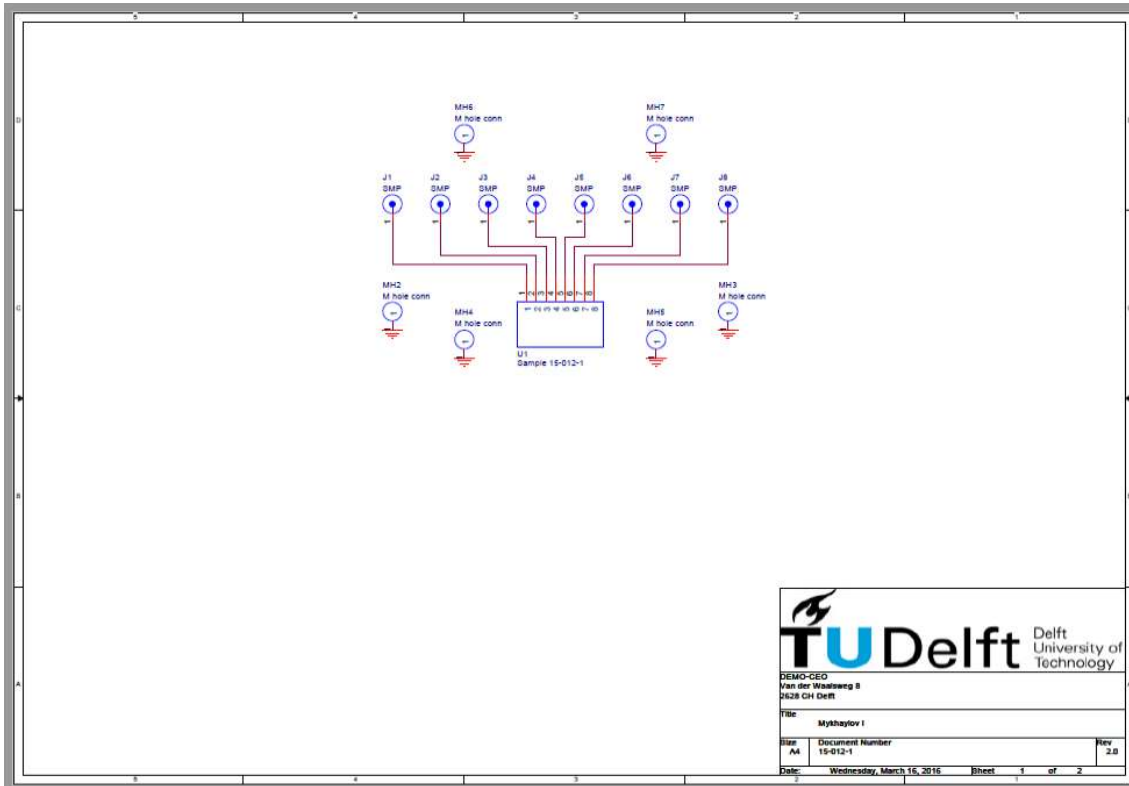
# 15-011-2 Sample Boards Scarlino

## Sample Board

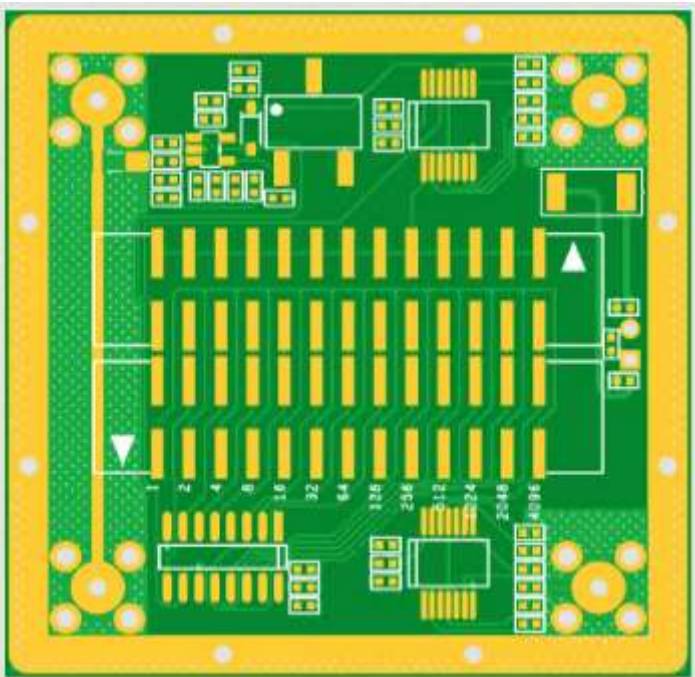
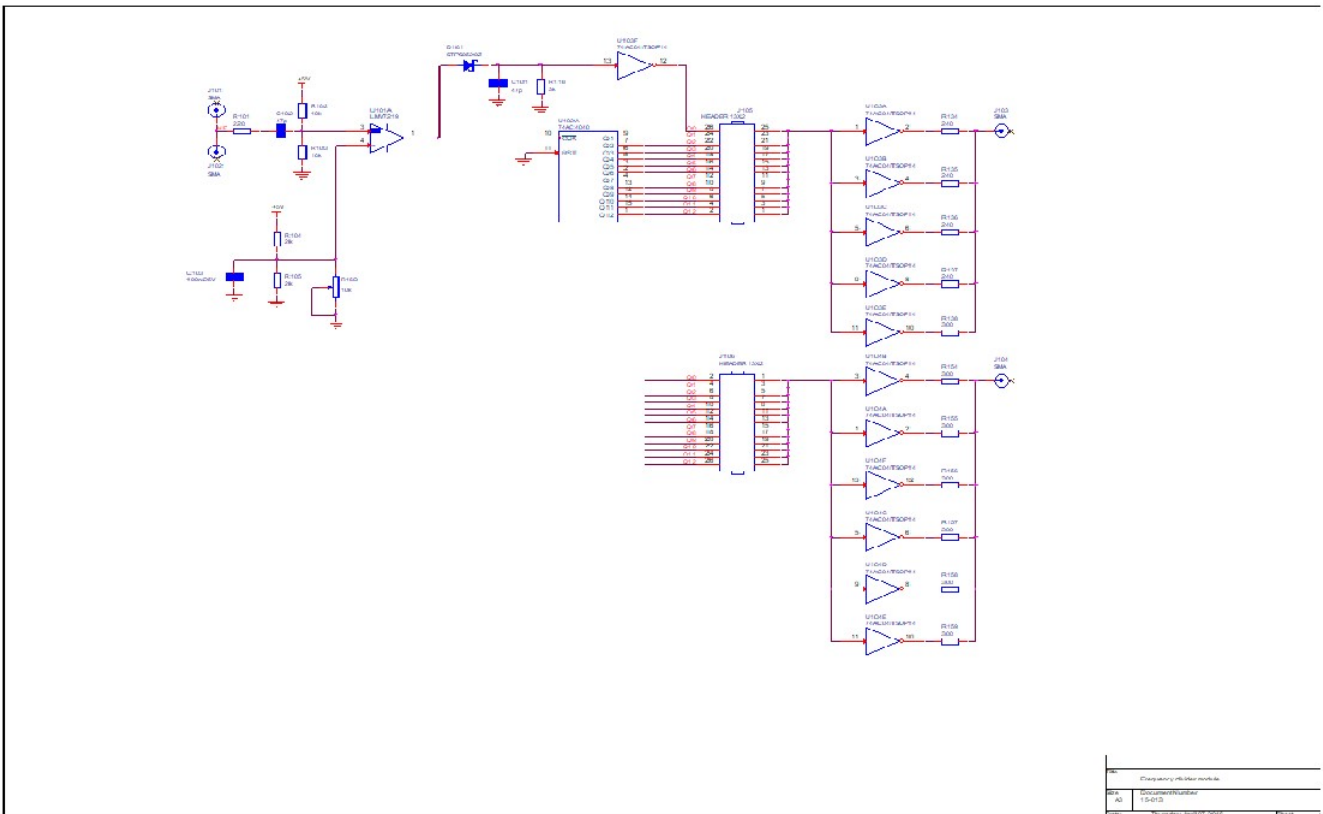


# 15-012 PCB Design Mykhaylov

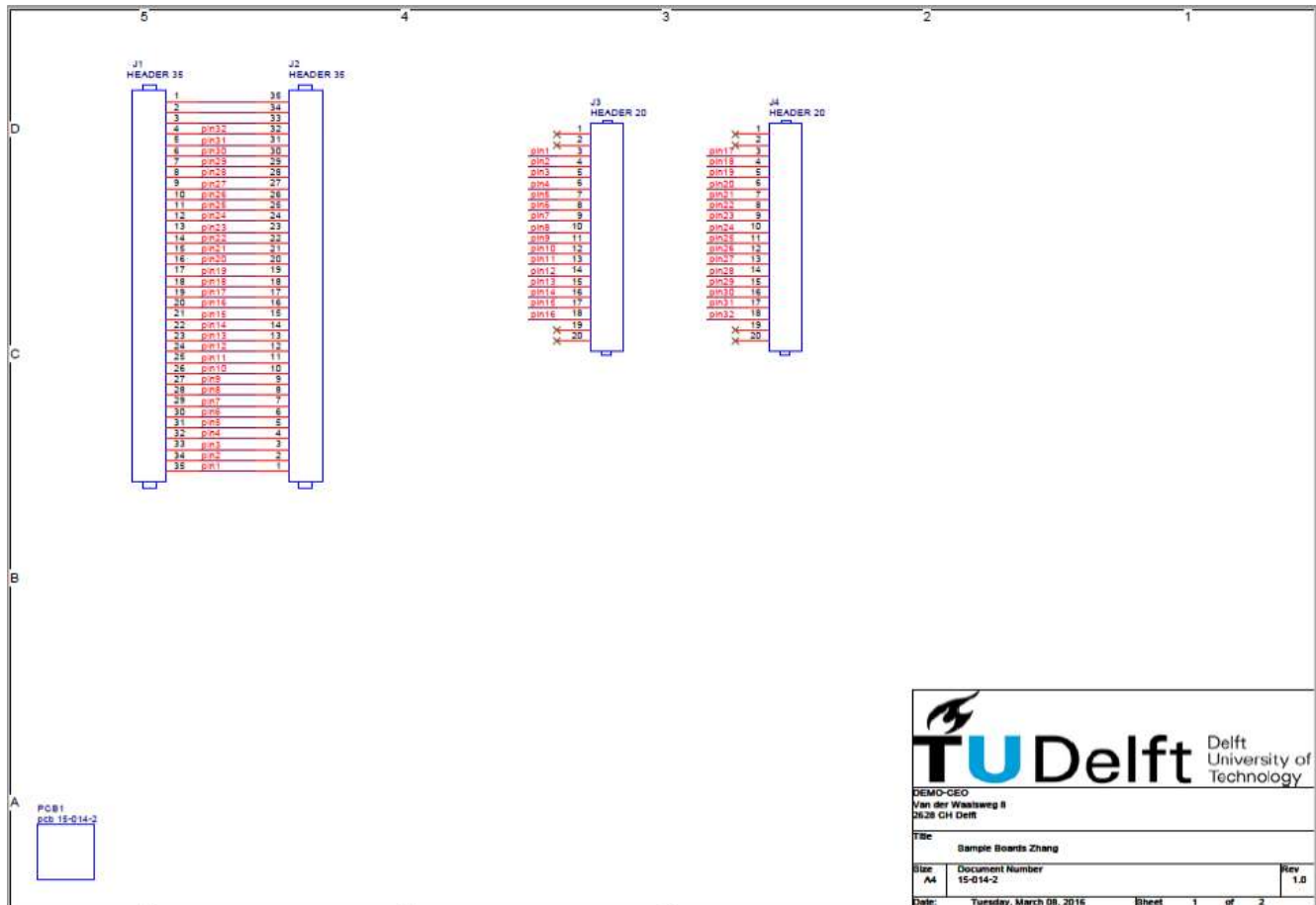
## Sample Board



# 15-013 Frequency divider module



# 15-014 Sample Boards Zhang



**TU Delft** Delft University of Technology

DEMO-DEO  
Van der Waalsweg 8  
2628 CH Delft

Title: Sample Boards Zhang

Size: A4	Document Number: 15-014-2	Rev: 1.0
----------	---------------------------	----------

Date: Tuesday, March 08, 2016 Sheet 1 of 2

